



MAFELEC

Creating control and signalling solutions for harsh environments

M-Light range



MLMT /120 LED Ø 120 mm combined Marker and Tail light

- **Compact solution**
- **Enhanced optical performances**
- **Improved lifetime (full LED technology)**
- **Option amber flashing light**



Mechanical / Environmental characteristics:

- Operating temperatures: - 40°C/+70°C
- Front or rear mounting
- Protection: IP66 front and rear
- Shock resistance: IK06
- Plastic protective cover
- Cable connection
- UV resistant

Optical characteristics:

- Marker (white) and Tail (red) lights combined
- Ø 120 mm lit area

	EN15153- 1:2013	Mafelec	
	Intensity	Intensity	Mean consumption (W) ±20 %
Full Marker light	300-700	600	≈ 8
Dimmed Marker light	100-300	200	≈ 4
Tail light	15-100	80	≈ 3

Values can be adapted on request

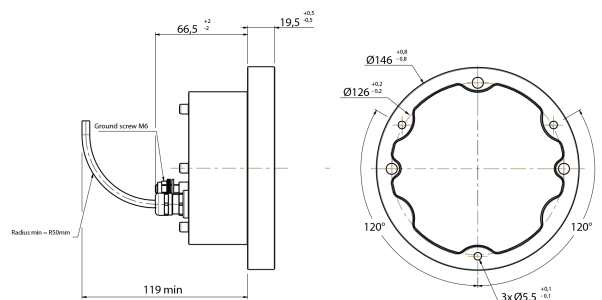
Standards:

- **Design** EN 15153 - 1:2013
TSI LOC & PAS 2014
- **Application** EN 50155
- **EMC** EN 50121-3-2
- **Product** EN 61373
- **Environment** EN 60068, EN 60529
- **Fire/smoke** EN 45545-2
- **Cable** EN 50306-4
- **REACH**

Electrical characteristics:

- Power supply: 24-36 and 72-110 Vdc (-30% / +25%)
- Optimized power consumption
- Long service life: 60 000h

Dimensions:



Options:

- Light status feedback (potential free contact)
- Customized connector and cable length
- Glass protective cover (for robustness against chemicals)
- Amber flashing light



AEROSPACE
& DEFENCE



COACHES
& BUSES



RAILWAY



INDUSTRY



ENERGY



PLEASURE
BOAT



VERTICAL
TRANSPORT



INDUSTRIAL
VEHICLES



OFFSHORE
& MINING

MAFELEC
www.mafelec.com

Textes et images non contractuels

(update 2017/06)