

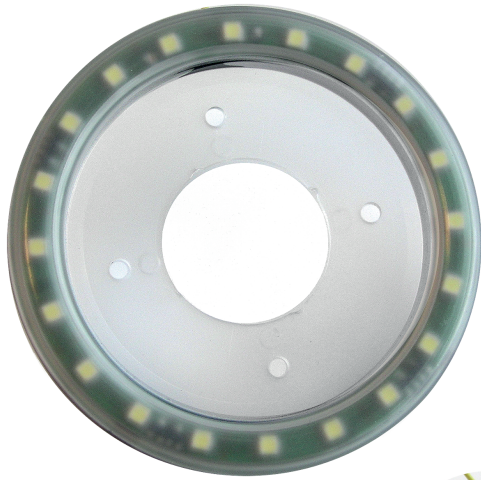


MAFELEC

Creating control and signalling solutions for harsh environments

Lighting ring

Lighting ring for emergency stop or other applications



- **Water proof (front and back)**
- **Low thickness**
- **Autonomous**

Standards :

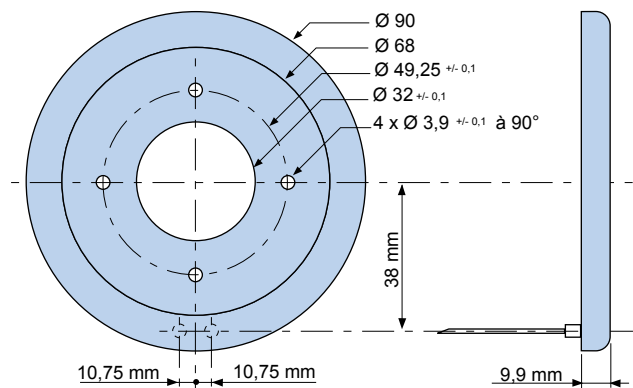
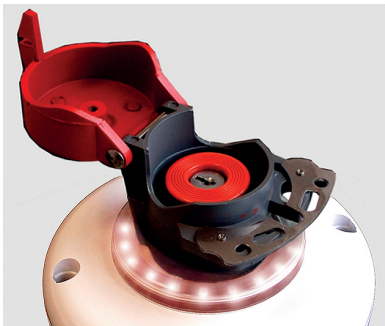
- **Application** EN 50155
- **Shocks, vibrations** EN 61373
- **CEM** EN 50121-3-2
- **Fire / smoke** UL 94 V0

Mechanical characteristics :

- Plastic ring
- Operating temperature : -25°C, +55°C
- Protection : IP 65 (resin tapping)

Electrical characteristics :

- 110V (other voltage on request)
- 20 leds (red)
- Cable L= 40 cm



AEROSPACE & DEFENCE



COACHES & BUSES



RAILWAY



INDUSTRY



ENERGY



PLEASURE BOAT



VERTICAL TRANSPORT



INDUSTRIAL VEHICLES



OFFSHORE & MINING

MAFELEC
www.mafelec.com

Textes et images non contractuels

(update 2017/06)